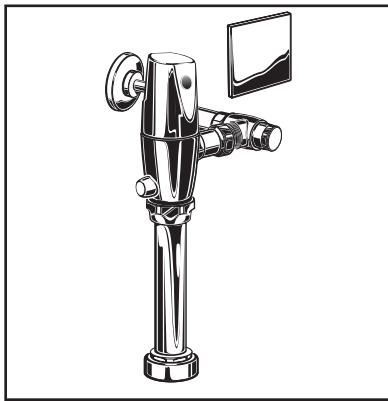




# SELECTRONIC® FloWise® EXPOSED TOILET FLUSH VALVE

HARD-WIRED AC POWERED, SENSOR OPERATED, 1.1 GPF



## GENERAL DESCRIPTION:

For floor-mounted or wall-hung 1-1/2" top spud bowls.

## INCLUDES:

- 1" I.P.S. angle stop with back-flow prevention and vandal-resistant cap
- Sweat solder kit including cover tube and wall flange
- High back pressure vacuum breaker with down tube
- Spud coupling & flange for 1-1/2" top spud

## PRODUCT FEATURES:

- Includes UL approved Class 2 Hard-Wired AC transformer
- Universal Input Voltage: 100 - 250 VAC, 50 / 60 Hz
- Vandal-resistant metal cover plate with no visible fasteners
- Electronic flush valve with Selectronic® proximity system for hygienic "Hands Free" operation
- Self-Cleaning Piston operation with integral wiper spring helps prevent clogging and reduces maintenance
- Piston operation delivers superior flush accuracy and repeatability
- Fully Mechanical Manual Override - allows valve to flush without power
- Fail-Safe Operation - valve automatically closes, and does not need to be reset, on loss of power or water pressure
- Adjustable Sanitary Flush - valve can automatically flush after 24 hours of non-use to clean fixture & maintain trap seal
- Chemical-resistant EPDM seals for long life
- Range can be adjusted manually or by remote control
- No external volume adjustment
- 5 second arming delay prevents unintentional flushing
- 3-second flush delay
- Can be installed left or right-handed
- ADA Compliant

## RECOMMENDED SPECIFICATION:

Electronic proximity infrared sensor activated toilet flush valve shall feature self-cleaning piston valve with integral wiper spring in refill orifice to help prevent clogging. Includes a UL listed hard-wired AC power supply. Also includes a fully mechanical manual override that will flush without power. Includes cast brass valve body and metal cover with chrome finish. High back pressure vacuum breaker and angle stop with vandal-resistant cap and back-flow protection included. 1.1 gpf / 4.2 Lpf. Flush valve shall be American Standard Model # 606\_111.002.

## MODEL NUMBER:

❑ **6067.111.002 HARD-WIRED AC POWERED:**  
Includes UL-approved Hard-Wired AC transformer (electrical box by others). 11-1/2" rough-in

❑ **6068.111.002 MULTI-AC POWERED:**  
Includes 10' extension cable. One transformer can operate up to 15 faucets and/or flush valves. 11-1/2" rough-in. **Transformer not included**

## NOTICE:

To ensure proper performance, this 1.1 gpf (4.2 Lpf) Toilet Flush Valve must be installed on a flushometer bowl that is certified (per ASME A112.19.2/CSA B45.1) to operate at 1.1 gpf (4.2 Lpf).

## OPERATING PRESSURE:

25 psi (flowing)-80 psi (static)

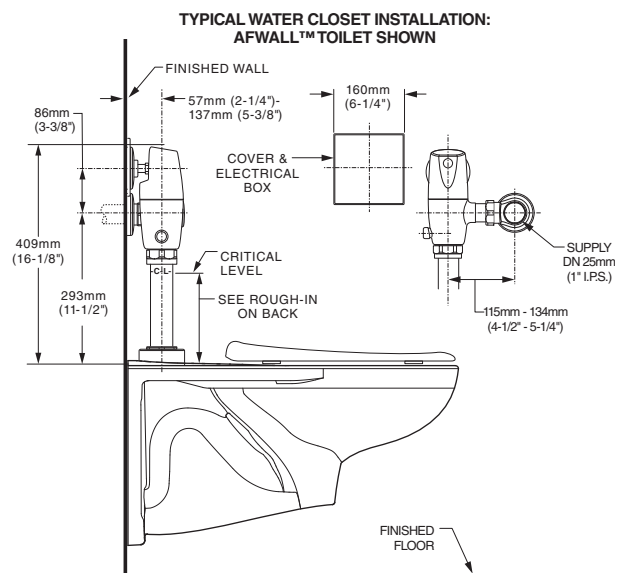
## FLOW REQUIREMENT:

25 gpm (94.6 L/min.)

## MaP\* SCORE

- 1,000 grams of miso @ 1.1 gpf (when used with an American Standard AFWall Millenium or Madera universal flushometer bowl)

\*Maximum Performance (MaP) testing performed by IAPMO R&T Lab. MaP Report conducted by Veritec Consulting, Inc. and Koeller and Company.



**MEETS THE AMERICANS WITH DISABILITIES ACT GUIDELINES AND ANSI A117.1 REQUIREMENTS FOR ACCESSIBLE AND USABLE BUILDING FACILITIES-CHECK LOCAL CODES**

**SELECTRONIC® FloWise®**  
**EXPOSED TOILET FLUSH VALVE**  
**HARD-WIRED AC POWERED, SENSOR OPERATED, 1.1 GPF**

**Roughing-in Dimensions**

