

**AFWALL® MILLENIUM™ 1.6 GPF  
FLUSHOMETER TOILET SYSTEM with EVERCLEAN®**

- ❑ **3351.716** 1.6 gpf Exposed Top Spud Bowl and Selectronic® Exposed AC Flush Valve

**BOWL:**

- Wall-hung elongated flushometer valve toilet
- Vitreous china
- High Efficiency. Operates in the range of 1.1 gpf to 1.6 gpf (4.2 Lpf to 6.0 Lpf)
- Permanent EverClean® surface inhibits the growth of stain and odor-causing bacteria, mold, and mildew on the surface
- Powerful direct-fed siphon jet action
- Fully-glazed 2-1/8" trapway
- Condensation channel
- 1-1/2" inlet spud
- 10" x 12" water surface area
- 100% factory flush tested
- Bolt caps and seat not included
- Model 3351.101

**SELECTRONIC® FLUSH VALVE:**

- Self-Cleaning Piston with integral wiper spring significantly reduces clogging and maintenance
- Selectronic® Proximity System with universal sensor provides hygienic, "hands free" operation
- State-of-the-Art Electronics prevent ghost flushing
- Dezincification Resistant semi-red brass alloy
- Fully Mechanical Manual Override Button can flush the valve without power
- Fail-Safe: Valve automatically closes upon loss of power or water pressure and does not need to be reset
- Adjustable Sanitary Flush cleans the fixture & maintains the trap seal.
- Chemical Resistant EPDM Seals for extended life
- Adjustable Tailpiece for rough-in flexibility
- Can be installed left or right handed
- Includes Class 2 UL certified universal hard-wired AC transformer
- Optional cover plate only required for installation from the front
- Model 6067.161

**Includes:**

- 047007-0070A Inlet Spud (furnished with bowl)
- 481310-100 2 Bolt caps with retainers (furnished with bowl)
- 1" I.P.S. angle stop with back-flow protection and vandal resistant cap
- 1" Sweat solder kit including cover tube and wall flange
- 1-1/2" High back pressure vacuum breaker, spud coupling and flange



SEE REVERSE FOR ROUGHING-IN DIMENSIONS

**System MaP Score:**

- 1,000 grams of miso @ 1.6 gpf

\* Maximum Performance (MaP) testing performed by IAPMO R&T Lab. MaP Report conducted by Veritec Consulting, Inc. and Koeller and Company.

**Operating Pressure:**

25 psi (flowing) - 80 psi (static)

**Flow Requirement:**

25gpm (94.6 L/min.)

**Nominal Fixture Dimensions:**

660 x 356 x 381mm (26" x 14" x 15")

**To Be Specified:**

- ❑ Color:  White
- ❑ Seat:
  - ❑ American Standard #5901.100 Heavy duty open front less cover
  - ❑ American Standard #5905.100 Extra heavy duty open front less cover

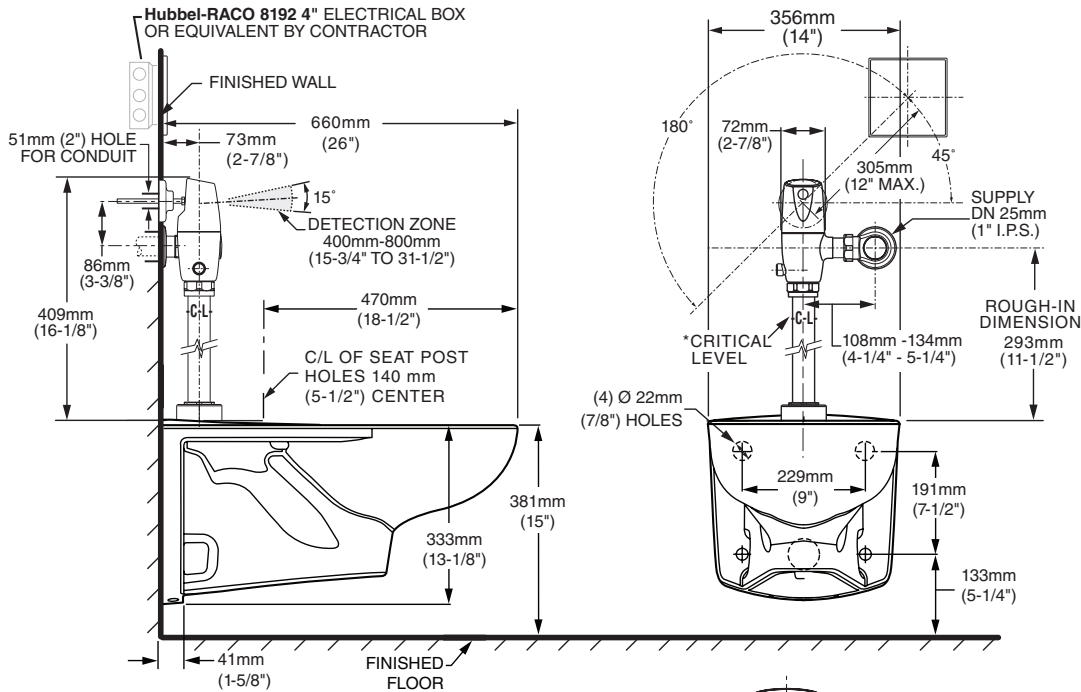


**Fixture Compliance Certifications -  
Meets or Exceeds the Following Specifications:**

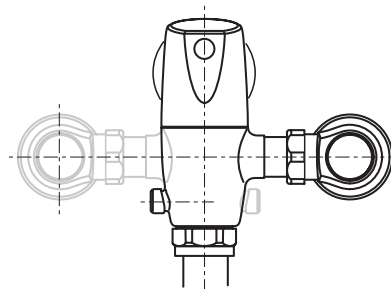
- ASME A112.19.2-2008 / CSA B45.1-08 for Vitreous China Fixtures

**Valve Listings:**

- ASSE 1037
- ANSI/ASME A112.19.2
- ADA Compliant



\*Note: The Critical Line (-C-L) on Vacuum Breaker must typically be a minimum of 152mm (6") above fixture. Consult Codes for details.



**MEETS THE AMERICANS WITH DISABILITIES ACT GUIDELINES AND ANSI A117.1 ACCESSIBLE AND USABLE BUILDINGS AND FACILITIES - CHECK LOCAL CODES.**

- When installed so that top of seat is 432 to 483mm (17" to 19") from the finished floor.

**NOTES:**

**WASTE OUTLET SEAL RING MUST BE NEOPRENE OR GRAPHITE-FELT (WAX RING NOT RECOMMENDED).**

SUGGESTED 2mm (1/16) CLEARANCE BETWEEN FACE OF WALL AND BACK OF BOWL. TO COMPLY WITH AREA CODE GOVERNING THE HEIGHT OF VACUUM BREAKER ON THE FLUSHOMETER VALVE, THE PLUMBER MUST VERIFY DIMENSIONS SHOWN FOR SUPPLY ROUGHING.

CARRIER FITTING AS REQUIRED TO BE FURNISHED BY OTHERS. PROVIDE SUITABLE REINFORCEMENT FOR ALL WALL SUPPORT.

**IMPORTANT:** Dimensions of fixtures are nominal and may vary within the range of tolerances established by ANSI Standard A112.19.2. These measurements are subject to change or cancellation. No responsibility is assumed for use of superseded or voided pages