



PRODUCT FEATURES:

Power Options:

- **PWRX™ Long-Life Battery System:** Battery Life - 480,000 cycles (10 years @ 4,000 cycles per month). Advanced battery & electronics reduce the downtime and maintenance costs associated with changing batteries.
- Safety Circuitry prevents overheating in case of short circuit and protects the electronics from damage.
- **DC (Battery):** Includes CR-P2 lithium battery. Battery Life - 192,000 cycles (4 years @ 4,000 cycles per month).
- **Plug-In AC:** Includes Class 2 UL certified universal Plug-In AC transformer with 6' long power cord.
- **Hard-Wired AC:** Includes Class 2 UL certified universal Hard-Wired AC transformer (electrical box by others).
- **Multi-AC:** One AC transformer can power up to 15 faucets and/or flush valves in a daisy chain configuration
POWER SUPPLY NOT INCLUDED.
- **Flexible Selectronic® Platform** with programmable, multi-function sensor.
- **Easy Installation:** Simple integrated design; sensor, solenoid valve and electronics are enclosed in the spout. No control box below deck.
- **Above-Deck Mixing:** Allows user to manually adjust temperature. Leak-free ceramic disc valve. Hot limit safety stop to reduce the risk of accidental scalding. Installer can set temperature and remove handle to prevent user adjustment.
- **Dual Inlets:** For hot and cold water. Inlet hoses include check valves to prevent cross flow and filter screens to protect the solenoid valve.
- **Seamless Cast Brass Body:** No crevices. Easy to clean. Vandal-resistant.
- **Optional Purge Feature:** Faucet can be programmed to open at a pre-determined time after last use to purge the faucet and water lines.
- **Safety Timer:** Helps prevent vandalism by turning off the faucet if the sensor is covered for 55 seconds or more.
- **Universal Voltage:** AC power supplies and transformers have input voltage range of 100 - 240 VAC, 50/60 Hz.
- **Lead-Free:** Faucet contains ≤ 0.25% total lead content by weighted average.



MODEL NUMBER:

■ **PWRX™ LONG-LIFE BATTERY POWERED**

- 7053.205** 0.5 gpm pressure compensating, vandal-resistant multi-laminar spray.
- 7053.215** 1.5 gpm pressure compensating, vandal-resistant laminar flow with adjustable stream direction.

■ **DC (BATTERY) POWERED**

- 7055.205** 0.5 gpm pressure compensating, vandal-resistant multi-laminar spray.
- 7055.215** 1.5 gpm pressure compensating, vandal-resistant laminar flow with adjustable stream direction.

■ **PLUG-IN AC POWERED**

- 7056.205** 0.5 gpm pressure compensating, vandal-resistant multi-laminar spray.
- 7056.215** 1.5 gpm pressure compensating, vandal-resistant laminar flow with adjustable stream direction.

■ **MULTI-AC POWERED**

- 7057.205** 0.5 gpm pressure compensating, vandal-resistant multi-laminar spray.
- 7057.215** 1.5 gpm pressure compensating, vandal-resistant laminar flow with adjustable stream direction.

■ **HARD-WIRED AC POWERED**

- 7059.205** 0.5 gpm pressure compensating, vandal-resistant multi-laminar spray.
- 7059.215** 1.5 gpm pressure compensating, vandal-resistant laminar flow with adjustable stream direction.

■ **OPTIONAL 4" or 8" Deck plates**

- 705P.400** 4" brass deck plate with 1/4" fixation studs and quick spin nuts. Includes fixation pin that prevents the faucet spout from rotating.

■ **OPTIONAL Mixing Valve**

- 605XTMV1070** Thermostatic mixing valve. 20" flexible stainless steel inlet hoses with 3/8" compression fittings. ASSE 1070 certified down to 0.35 gpm.

GENERAL DESCRIPTION:

Electronic faucet with proximity operation. Integrated design with sensor, solenoid valve and electronics enclosed in the spout. Includes Above-Deck Mixing option with ceramic disc valve, hot limit safety stop and removable handle. Vandal-resistant seamless, cast brass spout with single post mounting. Water pressure range from 20 to 125 psi. Dual inlets to spout: 18" flexible stainless steel inlet hoses with check valves, filter screens and 3/8" compression fittings.

RECOMMENDED SPECIFICATION:

Electronic, sensor-operated lavatory faucet shall feature a programmable, multi-function sensor and an electronically operated solenoid valve. Features a vandal resistant cast brass body with dual inlets with check valves and in-line filter screens. Single post mounting. Integrated design with sensor, solenoid valve and all electronics enclosed in the spout. Shall also feature above-decking mixing option using ceramic disc valve with hot limit safety stop. Shall meet ANSI A112.18.1 and ANSI 117.1 codes. Fitting shall be American Standard Model # 705 .2 5.

CODES AND STANDARDS

These products meet or exceed the following codes and standards:

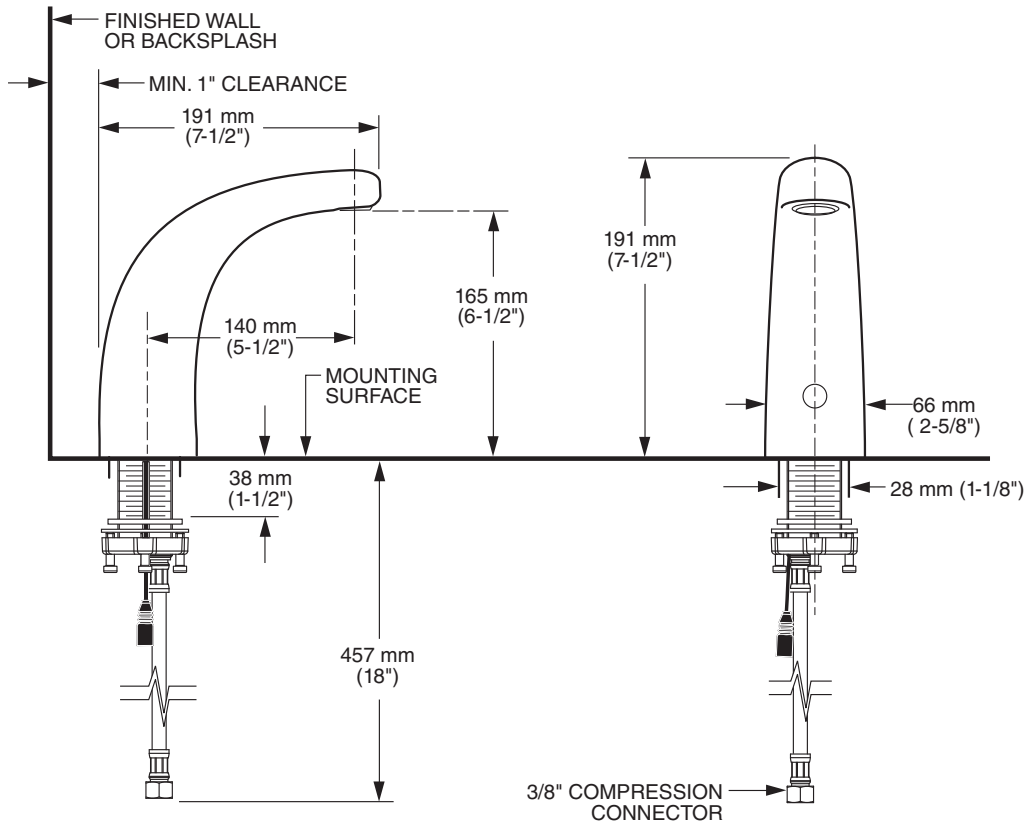
- ANSI A117.1**
- ASME A112.18.1**
- CSA B 125**
- NSF 372**



MEETS THE AMERICAN DISABILITIES ACT GUIDELINES AND ANSI A117.1 REQUIREMENTS FOR ACCESSIBLE AND USABLE BUILDING FACILITIES-CHECK LOCAL CODES

Other Aerators Available:	
Part Suffix	Description
_V035**	0.35 gpm (1.3 Lpm) PCA Vandal-Resistant Multi-Laminar Spray

*PCA - PRESSURE COMPENSATING
**MEETS CAL GREEN CODE



NOT RECOMMENDED FOR INSTALLATION ON LUCERNE SINKS

PART OF LIXIL