

ICS SINK WITH SELECTRONIC® IC FAUCET

- ❑ 9118.111 ICS Sink (fixture only)
- ❑ 6055.193 DC powered faucet
- ❑ 6056.193 Plug-In AC powered faucet
- ❑ 6057.193 Multi-AC powered faucet
- ❑ 6059.193 Hard-Wired AC powered faucet

SINK:

- Vitreous china
- Permanent EverClean® surface inhibits the growth of stain & odor causing bacteria, mold & mildew
- Deep basin & sloped ledges minimize splashing
- Sink drain is offset so that the water stream does not fall directly on the grid drain
- Sink is designed with sealed overflow to eliminate an area for water to pool
- Includes removable acrylic shroud (with mounting hardware) to allow access to the faucet electronics
- Includes offset grid drain & P-Trap with SANIGUARD®** coating

**SANIGUARD is a registered trademark of the Component Hardware Group, Inc.

SELECTRONIC® FAUCET:

- Hygienic hands-free operation
- Rigid gooseneck spout with 5" reach
- 1.5 gpm laminar flow restrictor in spout shank - No mix of air and water
- Plain spout end - Nothing on the end of the spout to collect lime & debris
- Fully enclosed, water resistant & hermetically sealed electronic controls
- Vandal-resistant durable brass construction
- Integral in-line strainer prevents clogging
- Factory-installed 15" long S.S. flex hose with 3/8" compression connection
- Lead Free: Faucet contains ≤ 0.25% total lead content by weighted average
- Optional thermostatic mixing valve (605XTMV) is available & must be ordered separately

* This product will not eliminate the risk of infection, but provides a hygienic environment by reducing splashing through its unique design.



SEE REVERSE FOR ROUGHING-IN DIMENSIONS

Nominal Fixture Dimensions:

509 x 432 x 663mm (20" x 17" x 26-1/8")

Fixture Compliance Certifications -

Meets or Exceeds the Following Specifications:

- ASME A112.19.2-2008 / CSA B45.1-08 for Vitreous China Fixtures
- CSA Z8000

Valve Listings:

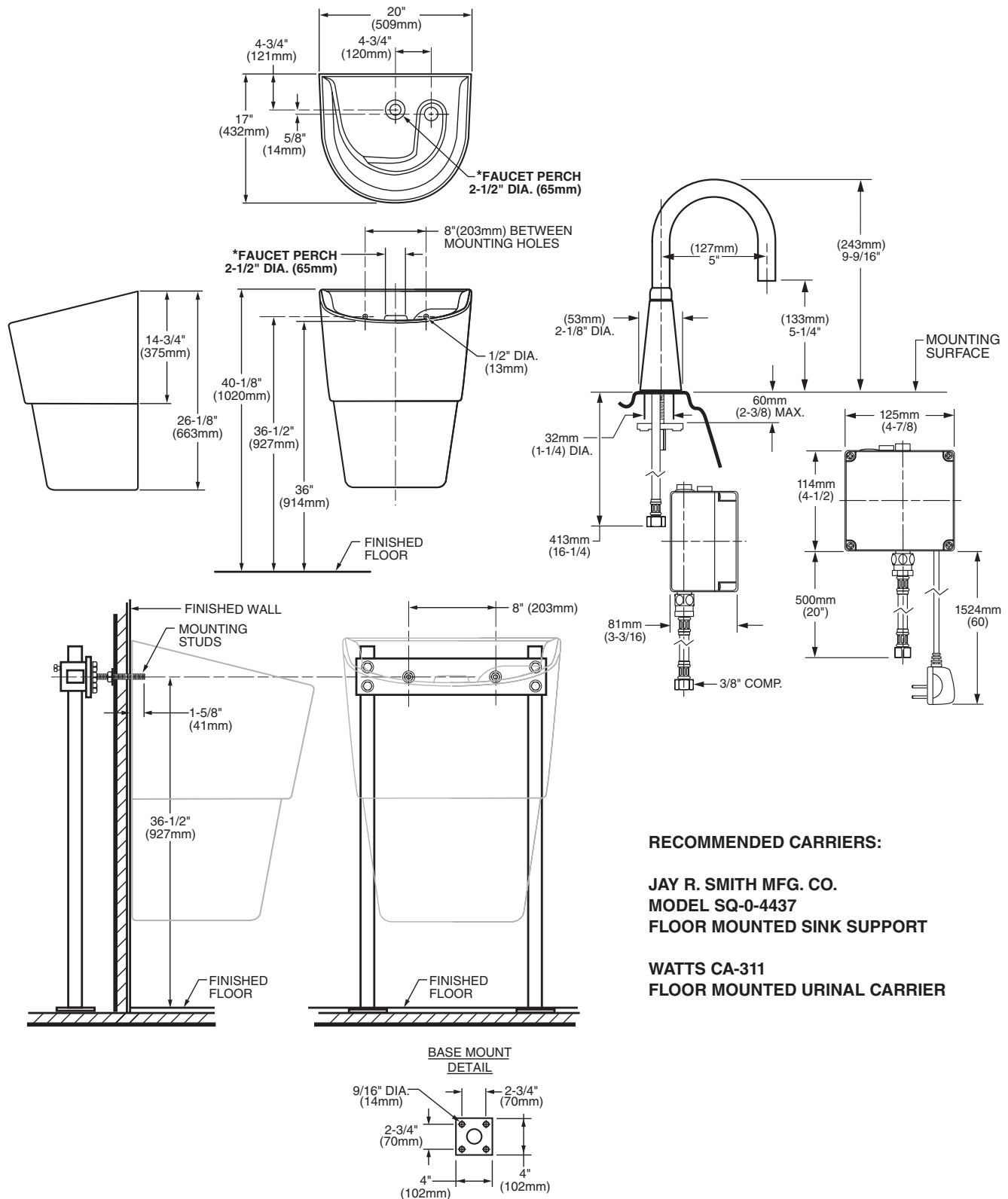
- ANSI A117.1
- ANSI A112.18.1
- CSA B 125
- NSF 61/Section 9, Annex G

DISCLAIMER: Faucets with a base diameter greater than 2-1/4" (57 mm) will not fit on this ICS Sink. The Selectronic IC Faucet was specifically designed to minimize splashing during operation. American Standard will not be liable for any splashing that occurs if faucets other than the American Standard IC Faucets are used.



EVERCLEAN®
Surface





* This product will not eliminate the risk of infection, but provides a hygienic environment by reducing splashing through its unique design.