

**ALLBROOK® FloWise® 0.5 GPF
HIGH EFFICIENCY URINAL SYSTEM**

- **6550.505** 0.5 gpf Exposed Top Spud Urinal & Selectronic® Urinal Flush Valve

URINAL:

- Vitreous china
- High Efficiency: Operates in the range of 0.5 gpf to 1.0 gpf (1.9 Lpf/3.8 L/pf)
- Flushing rim
- Siphon jet flush action
- 3/4" inlet spud
- Outlet connection threaded 2" inside (NPTF)
- Meets ANSI flush requirements at 0.5 to 1.0 gpf
- Model 6550.001

SELECTRONIC® FLUSH VALVE:

- Factory-Installed CR-P2 Lithium Battery
- Pressure Compensation feature ensures accurate flush volume regardless of inlet water pressure
- Self-Cleaning Piston with integral wiper spring significantly reduces clogging and maintenance
- Selectronic® Proximity System with universal sensor provides hygienic, "hands free" operation
- State-of-the-Art Electronics prevent ghost flushing
- Dezincification Resistant semi-red brass alloy
- Fully Mechanical Manual Override Button can flush the valve without power
- Fail-Safe: Valve automatically closes upon loss of power or water pressure and does not need to be reset
- Adjustable Sanitary Flush cleans the fixture & maintains the trap seal.
- Stadium Feature: Valve automatically switches to water savings mode during periods of heavy usage
- Chemical Resistant EPDM Seals for extended life
- Adjustable Tailpiece for rough-in flexibility
- Can be installed left or right handed
- Model 6063.051

Includes:

- Wall hanger
- 3/4" I.P.S. angle stop with back-flow protection and vandal resistant cap
- 3/4" Sweat solder kit including cover tube and wall flange
- Outlet includes 3/4" high back pressure vacuum breaker, spud coupling and flange



SEE REVERSE FOR ROUGHING-IN DIMENSIONS

High-Efficiency Urinal Systems:

- 50% water savings when compared to a 1.0 gpf urinal system

Battery Life:

- 4 years @ 4,000 flushes per month

Operating Pressure:

20 psi (flowing) - 80 psi (static)

Flow Requirement:

10gpm (37.9 L/min.)

Nominal Fixture Dimensions:

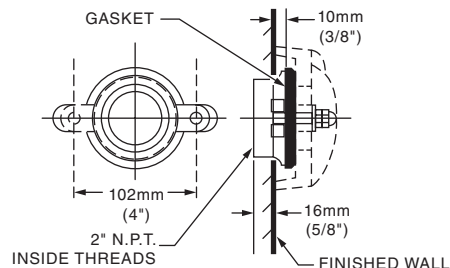
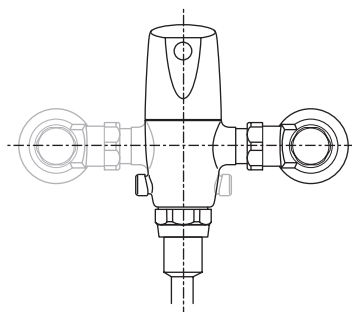
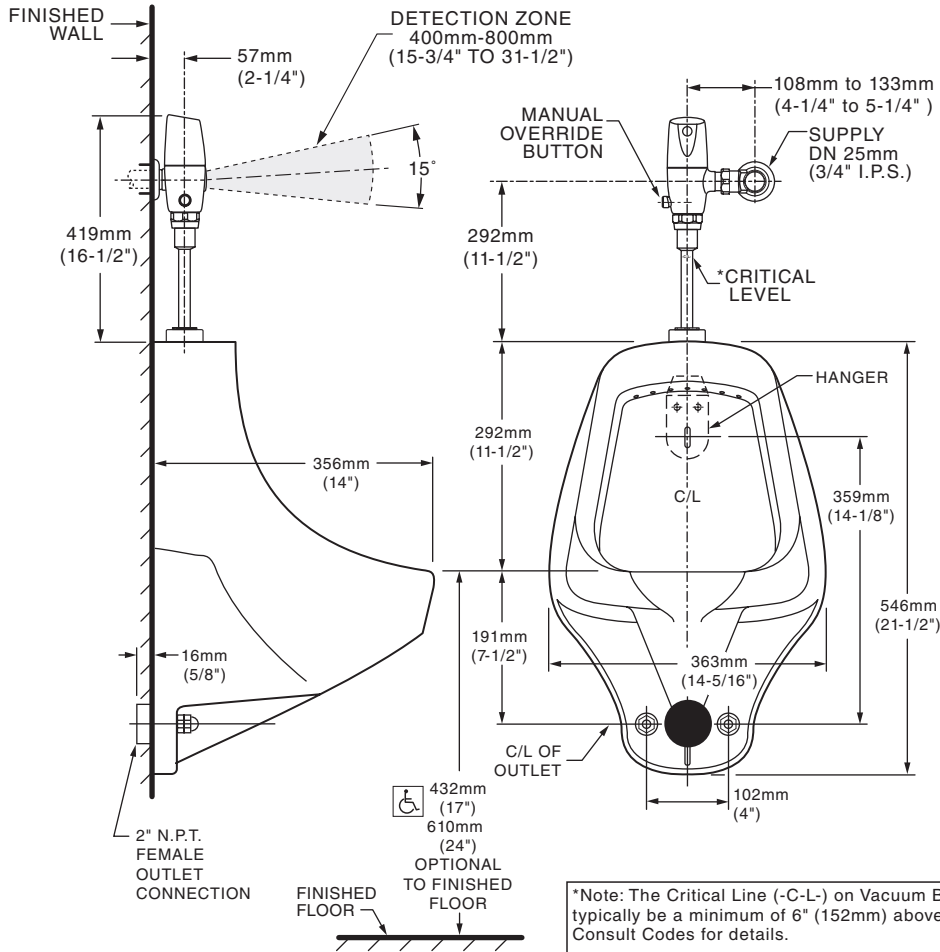
356 x 363 x 546mm (14" x 14-5/16" x 21-1/2")



MEETS THE AMERICANS WITH DISABILITIES ACT GUIDELINES AND ANSI A117.1 ACCESSIBLE AND USEABLE BUILDINGS AND FACILITIES - CHECK LOCAL CODES.

- When installed so top of rim is 432mm (17") from finished floor.





Fixture Compliance Certifications -

- ASME A112.19.2-2008/CSA B45.1-08 for Vitreous China Fixtures

Valve Listings:

- ASSE 1037
- ANSI/ASME A112.19.2
- ADA Compliant

NOTES:

PROVIDE SUITABLE REINFORCEMENT FOR ALL WALL SUPPORTS.

IMPORTANT: Dimensions of fixtures are nominal and may vary within the range of tolerances established by ANSI Standard A112.19.2. These measurements are subject to change or cancellation. No responsibility is assumed for use of superseded or voided pages.