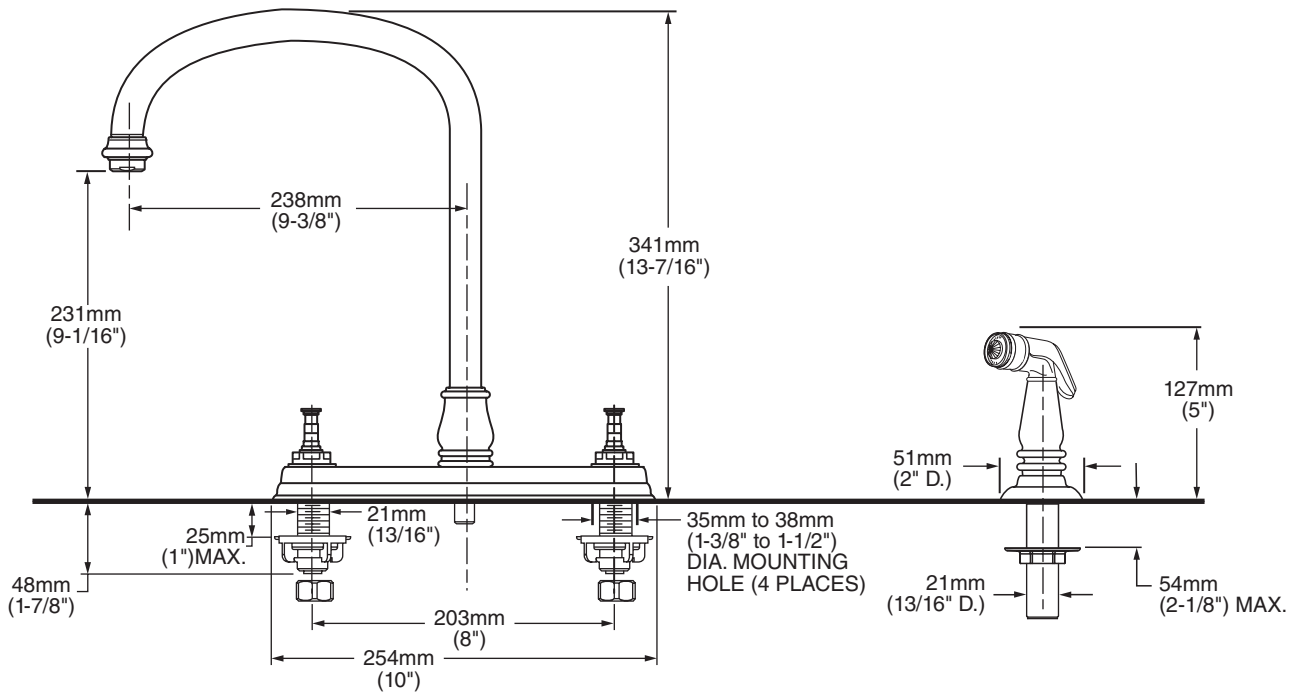




**MODEL NUMBER:**

- 4771.732 Top-Mount Kitchen Faucet**  
Color-matched Handspray. Metal lever handles.
- 4771.732.F15 Top-Mount Kitchen Faucet**  
Color-matched Handspray. Metal lever handles.



**GENERAL DESCRIPTION:**

Durable brass construction. 1/4 turn washerless ceramic disc valve cartridges. Brass 22mm (7/8") diameter swivel spout (360° rotation). Metal escutcheon plate (escutcheon size 10"L x 2-3/8"W). Color-matched hand spray. One-half inch male inlet shanks with brass coupling nuts. 2.2 gpm/8.3 L/min. maximum flow rate, 1.5 gpm/5.7 L/min, maximum flow rate for F15 models.

**PRODUCT FEATURES:**

- Ceramic Disc Valve Cartridges:** Assures a lifetime of drip-free performance.
- Brass Construction and Cast Brass Waterway:** Durable - Excellent in high use applications. Ideal for prolonged contact with water.
- Larger Spout:** Increased spout height, reach and diameter.
- Lead Free:** Faucet contains ≤ 0.25% total lead content by weighted average.
- Choice of Finishes:** Available in a wide range of durable finishes.

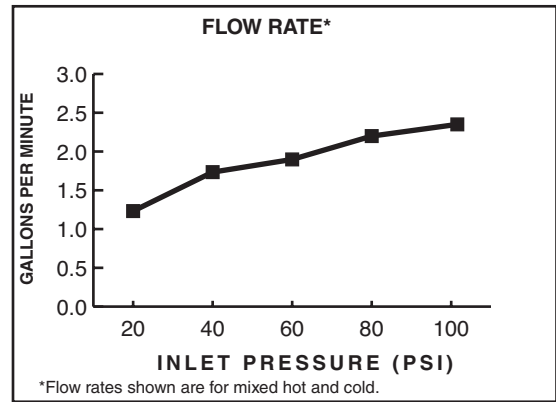
**SUGGESTED SPECIFICATION:**

Two handle top-mount kitchen faucet shall feature brass construction with all brass inlet shanks and coupling nuts. Brass swivel spout. Shall also feature 1/4 turn washerless ceramic disc valve cartridges. Faucet shall be American Standard Model # 4771.732.\_\_\_\_.\_\_\_\_\_.

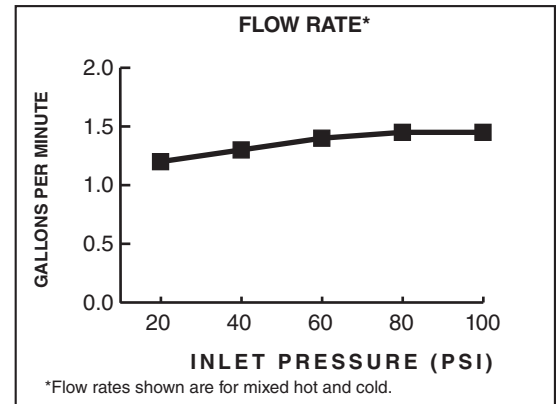
**CODES AND STANDARDS**

These products meet or exceed the following codes and standards:

- ASME A112.18.1
- CSA B 125
- NSF 61/Section 9 & Annex G




**2.2 gpm/8.3 L/min. FLOW RATE**



**1.5 gpm/5.7 L/min. FLOW RATE**

Product Number	Description	Finish Options			
		Polished Chrome	PVD Polished Brass	Oil Rubbed Bronze	PVD Satin Nickel
		002	099	224	295
4771.732	Kitchen Faucet with Handspray - 2.2 gpm/8.3 L/min. maximum flow rate				
4771.001.F15	Kitchen Faucet with Handspray - 1.5 gpm/5.7 L/min. maximum flow rate				

 Meets the American Disabilities Act Guidelines and **ANSI A117.1** Requirements for the physically challenged.