

GENERAL DESCRIPTION:

Concealed, Sensor Operated Selectronic® Toilet Flush Valve (Rear Access) for floor mount bowls with 1-1/2" exposed back spud.

PRODUCT FEATURES:

- **Self-Cleaning Piston** with integral wiper spring significantly reduces clogging and maintenance
- **Selectronic® Proximity System** with universal sensor provides hygienic, "hands free" operation
- **State-of-the-Art Electronics** prevent ghost flushing
- **Dezincification Resistant** semi-red brass alloy
- **Fully Mechanical Manual Override Button** can flush the valve without power
- **Fail-Safe:** Valve automatically closes upon loss of power or water pressure and does not need to be reset
- **Adjustable Sanitary Flush** cleans the fixture & maintains the trap seal.
- **Chemical resistant EPDM Seals** for extended life
- **Adjustable tailpiece for rough-in flexibility**
- **Can be installed left or right handed**
- **All exposed parts are chrome-plated**

INCLUDES:

- 1" I.P.S. angle stop with back-flow protection and hand wheel
- 1" Sweat solder adapter
- 1-1/2" Vacuum breaker with spud coupling and flange

MODEL NUMBER:

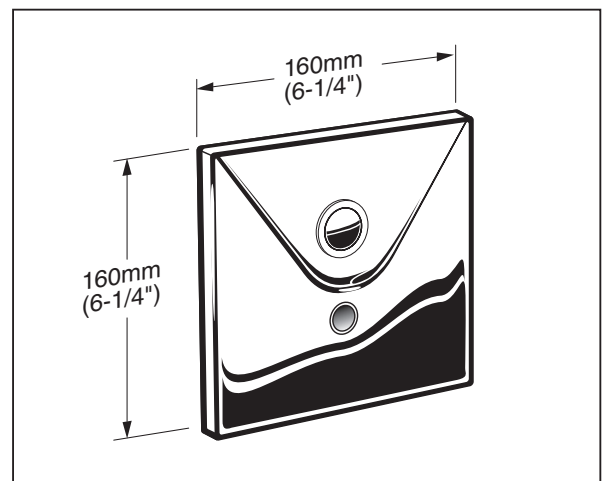
- 6065.221.007 DC Powered, 1.28 gpf**
CR-P2 lithium battery included
REAR ACCESS
Fully Mechanical Manual Override
Vandal-Resistant Chrome Plated Metal Wall Plate
- 6067.221.007 Plug-In AC Powered, 1.28 gpf**
SAME AS ABOVE
Class 2 UL certified plug-in AC power supply included
Universal input voltage: 100 - 240 VAC, 50/60 Hz.
- 6068.221.007 Multi-AC Powered, 1.28 gpf**
SAME AS ABOVE
10' Extension cable and Y-connector included
One transformer can power up to 15 faucets and/or flush valves in a daisy chain configuration
POWER SUPPLY NOT INCLUDED

OPERATING PRESSURE:

25 psi (flowing) - 80 psi (static)

FLOW REQUIREMENT:

25 gpm (94.6 L/min.)



RECOMMENDED SPECIFICATION:

Electronic, sensor activated toilet flush valve for floor-mount bowls (with 1-1/2" exposed back spud) shall feature self-cleaning piston valve with integral wiper spring in refill orifice to prevent clogging. Shall feature a fully mechanical manual override that can flush the valve without power. Shall also feature a semi-red brass valve body and vandal-resistant chrome-plated metal wall plate that includes the sensor and manual override button. Includes angle stop with back-flow protection and hand wheel. Sweat solder adapter and vacuum breaker also included. Must be installed and maintained from the rear. 1.28 gpf / 4.8 Lpf. Flush Valve shall be American Standard Model # 606_221.007.

LISTINGS:

- ASSE 1037
- ANSI/ASME A112.19.2
- ADA Compliant

