

**GENERAL DESCRIPTION:**

Concealed, Sensor Operated Selectronic® Toilet Flush Valve (Rear Access) for floor mount bowls with 1-1/2" exposed back spud.

**PRODUCT FEATURES:**

- **Self-Cleaning Piston** with integral wiper spring significantly reduces clogging and maintenance
- **Selectronic® Proximity System** with universal sensor provides hygienic, "hands free" operation
- **State-of-the-Art Electronics** prevent ghost flushing
- **Dezincification Resistant** semi-red brass alloy
- **Fully Mechanical Manual Override Button** can flush the valve without power
- **Fail-Safe:** Valve automatically closes upon loss of power or water pressure and does not need to be reset
- **Adjustable Sanitary Flush** cleans the fixture & maintains the trap seal.
- **Chemical resistant EPDM Seals** for extended life
- **Adjustable tailpiece for rough-in flexibility**
- **Can be installed left or right handed**
- **All exposed parts are chrome-plated**

**INCLUDES:**

- 1" I.P.S. angle stop with back-flow protection and hand wheel
- 1" Sweat solder adapter
- 1-1/2" Vacuum breaker with spud coupling and flange

**MODEL NUMBER:**

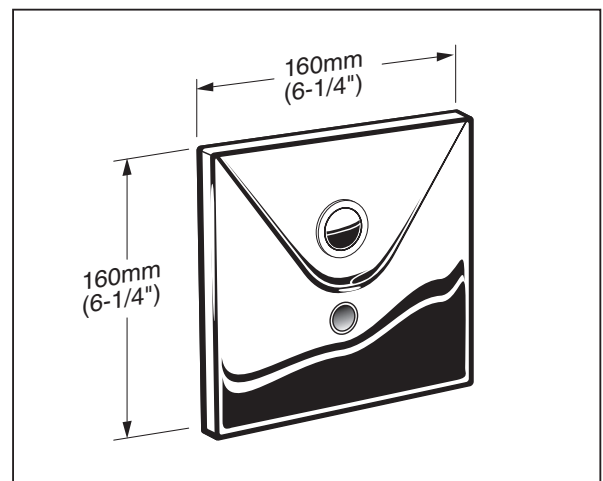
- 6065.261.007 DC Powered, 1.6 gpf**  
CR-P2 lithium battery included  
**REAR ACCESS**  
Fully Mechanical Manual Override  
Vandal-Resistant Chrome Plated Metal Wall Plate
- 6067.261.007 Plug-In AC Powered, 1.6 gpf**  
**SAME AS ABOVE**  
Class 2 UL certified plug-in AC power supply included  
Universal input voltage: 100 - 240 VAC, 50/60 Hz.
- 6068.261.007 Multi-AC Powered, 1.6 gpf**  
**SAME AS ABOVE**  
10' Extension cable and Y-connector included  
One transformer can power up to 15 faucets and/or flush valves in a daisy chain configuration  
**POWER SUPPLY NOT INCLUDED**

**OPERATING PRESSURE:**

25 psi (flowing) - 80 psi (static)

**FLOW REQUIREMENT:**

25 gpm (94.6 L/min.)



**RECOMMENDED SPECIFICATION:**

Electronic, sensor activated toilet flush valve for floor-mount bowls (with 1-1/2" exposed back spud) shall feature self-cleaning piston valve with integral wiper spring in refill orifice to prevent clogging. Shall feature a fully mechanical manual override that can flush the valve without power. Shall also feature a semi-red brass valve body and vandal-resistant chrome-plated metal wall plate that includes the sensor and manual override button. Includes angle stop with back-flow protection and hand wheel. Sweat solder adapter and vacuum breaker also included. Must be installed and maintained from the rear. 1.6 gpf / 6.0 Lpf. Flush Valve shall be American Standard Model # 606\_261.007.

**LISTINGS:**

- ASSE 1037
- ANSI/ASME A112.19.2
- ADA Compliant

