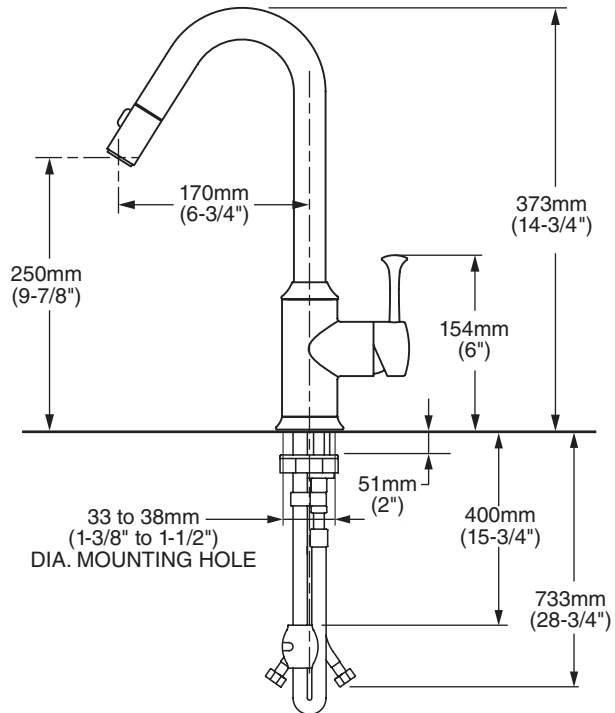


MODEL NUMBER:

- 4332.310 Pull-Down Kitchen Faucet
- 4332.310.F15 Pull-Down Kitchen Faucet



GENERAL DESCRIPTION:

Forged brass body, brass swivel spout (150° rotation) with metal lever handle. Pull-down spray with adjustable spray pattern and push button activation. Spray securely snaps into place. Metal reinforced hose. Complete with two integral check valves. Washerless 40mm ceramic disc valve cartridge. Brass mounting shank with brass fixation ring. Braided flexible supply hoses with 3/8" compression connectors. 2.2 gpm/8.3 L/min. maximum flow rate, 1.5 gpm/5.7 L/min, maximum flow rate for F15 models.

PRODUCT FEATURES:

- Ceramic Disc Valve Cartridge:** Assures smooth, precise valve control and a lifetime of drip-free, maintenance free performance.
- Brass Construction:** Highest quality faucet materials for durability & long life.
- Memory Position Valving:** Allows user to turn valve on and off at preferred temperature setting without readjusting handle position each time.
- Lead Free:** Faucet contains ≤ 0.25% total lead content by weighted average
- Pull-Down Spray:** Adjustable spray pattern-stream to spray.
- Integral Check Valves:** Prevent back flow.
- Choice of Finishes:** Choice of Polished Chrome or Stainless Steel (PVD).

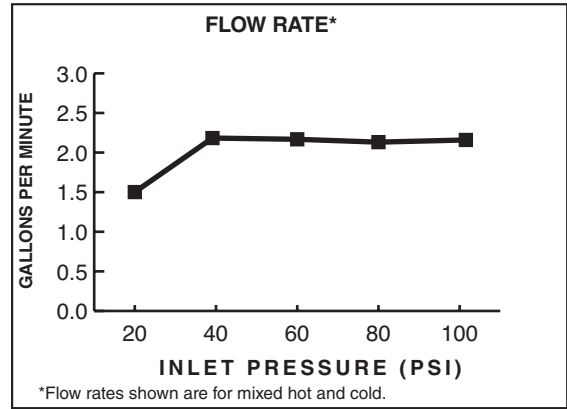
SUGGESTED SPECIFICATION:

Single control kitchen faucet shall feature a forged brass body, brass swivel spout with pull-down spray and metal lever handle. Shall also feature washerless ceramic disc valve cartridge, flexible supply hoses and two integral check valves. Fitting shall be American Standard Model # 4332.310.____._____.

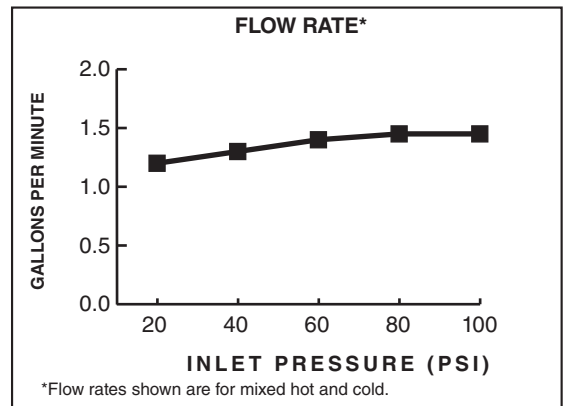
CODES AND STANDARDS

These products meet or exceed the following codes and standards:

- ANSI A117.1**
- ASME A112.18.1**
- NSF 61/Section 9 & Annex G**
- CSA B125**



2.2 gpm/8.3 L/min. FLOW RATE



1.5 gpm/5.7 L/min. FLOW RATE

Product Number	Description	Finish Options	
		Polished Chrome	PVD Stainless Steel
4332.310	Pull-down Kitchen Faucet - 2.2 gpm/8.3 L/min. maximum flow rate	002	075
4332.310.F15	Pull-down Kitchen Faucet - 1.5 gpm/5.7 L/min. maximum flow rate		

 Meets the American Disabilities Act Guidelines and **ANSI A117.1** Requirements for the physically challenged.