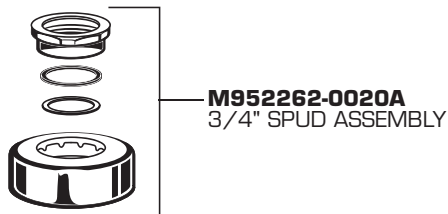
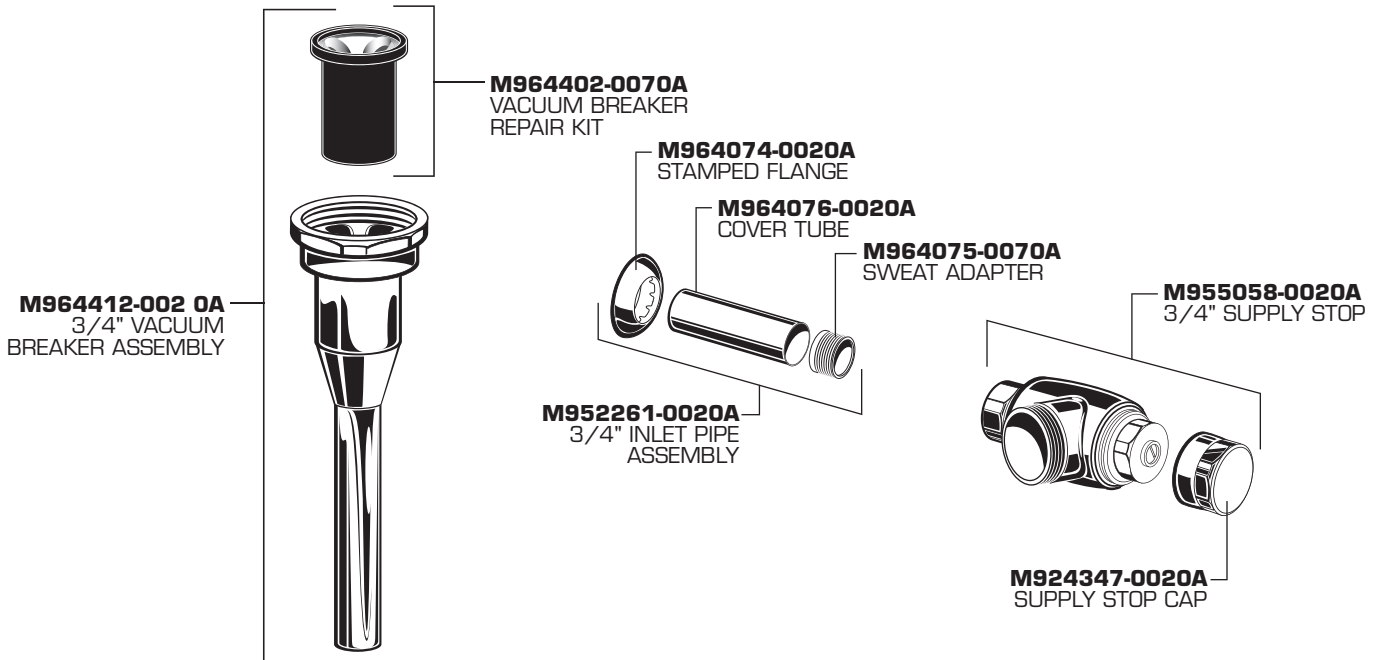
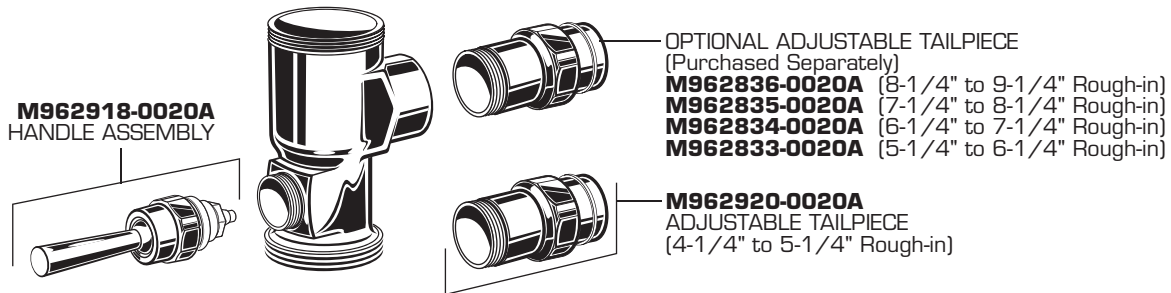
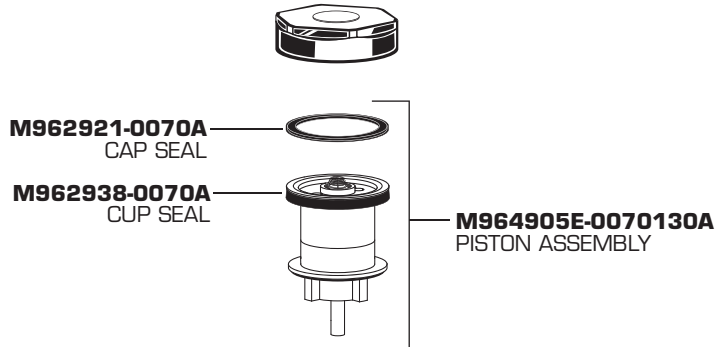



**MANUAL FLUSH VALVE .125 GPF**

**Exposed Flushometer  
for Top Spud Urinals**

**MODEL NUMBERS**

**6045.013**

**HOT LINE FOR HELP**  
For toll-free information and answers to your questions, call:  
1 (800) 442-1902  
Weekdays 8:00 a.m. to 6:00 p.m. EST  
IN MEXICO 01-800-839-1200  
IN CANADA 1-800-387-0369 (TORONTO 1-905-306-1093)  
Weekdays 8:00 a.m. to 7:00 p.m. EST

Product names listed herein are trademarks of AS America, Inc.  
© 2011 AS America, Inc.