

SINKS

MODEL NUMBERS

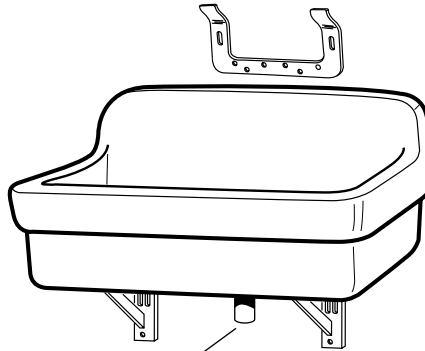
SURGEON'S SCRUB SINK
9047.044/.093

ALL PURPOSE SINK
9061.292/.250

PLASTER WORK SINK
9061.193

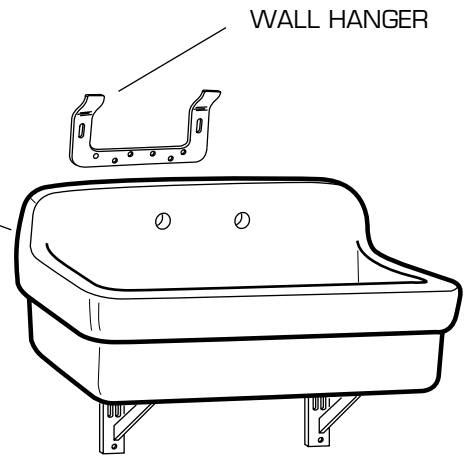
American Standard

ALL PURPOSE SINK



1-1/2" GRID DRAIN

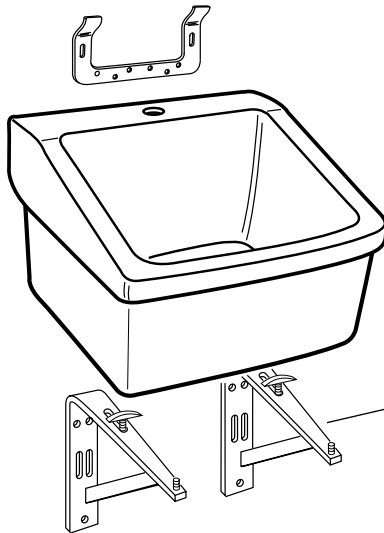
PLASTER WORK SINK



WALL HANGER

SINK

SURGEON'S SCRUB SINK



15" BRACKETS

DESCRIPTION	▶ COMPONENT	PKG QTY
15" Brackets (2 Required)	485742-600	1
Grid Drain 1-1/2" Tailpiece	7716.020	1
DESCRIPTION	PART NUMBER	PKG QTY
Wall Hanger	047013-0070A	1

▶ FOR COMPONENT PART ORDERING SEE CURRENT PRODUCT SELECTOR AND PRICING GUIDE.