

LUCERNE™ WALL-HUNG LAVATORY

- Wall-hung sink
- Vitreous china
- Front overflow
- D-shaped bowl
- Self-draining deck area with contoured back and side splash shields
- Faucet ledge
- Compliant with Texas accessibility standard (TAS) for children age group 13 and up

Faucet holes on 203mm (8") centers (Illus.):

- 0356.037** For wall hanger (included) or concealed arms support
 - Extra right-hand hole
 - Long shank soap/lotion dispenser required (by others)

Faucet holes on 102mm (4") centers:

- 0355.056** For wall hanger (included) or concealed arms support
 - Extra left-hand hole
 - Long shank soap/lotion dispenser required (by others)
- 0355.034** For wall hanger (included) or concealed arms support
 - Extra right-hand hole
 - Long shank soap/lotion dispenser required (by others)
- 0355.041** For wall hung sink thru bolt support on backsplash for wall anchors

Single center faucet hole (Illus.):

- 0356.137** For wall hanger (included) or concealed arms support
 - Extra right-hand hole
 - Long shank soap/lotion dispenser required (by others)
- 0356.115** For wall hanger (included) or concealed arms support
 - Extra left-hand hole
 - Long shank soap/lotion dispenser required (by others)

Nominal Dimensions:

521 x 464mm
 (20-1/2" x 18-1/4")

Bowl sizes:

381mm (15") wide
 254mm (10") front to back
 165mm (6-1/2") deep

Compliance Certifications -

Meets or Exceeds the Following Specifications:

- ASME A112.19.2 / CSA B45.1 for Vitreous China Fixtures



SEE FOLLOWING PAGES FOR ROUGHING-IN DIMENSIONS

To Be Specified:

- Color: White
- Faucet*:
- Faucet Finish:
- Supplies:
- 1-1/4" Trap:
- Nipple:
- Bracket Support (by others):
- Concealed Arms Support (by others):

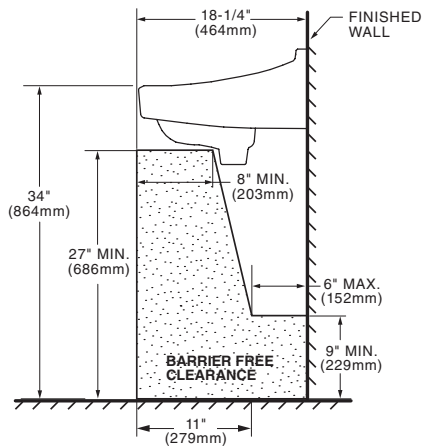
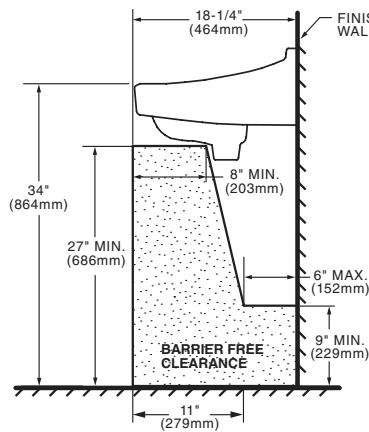
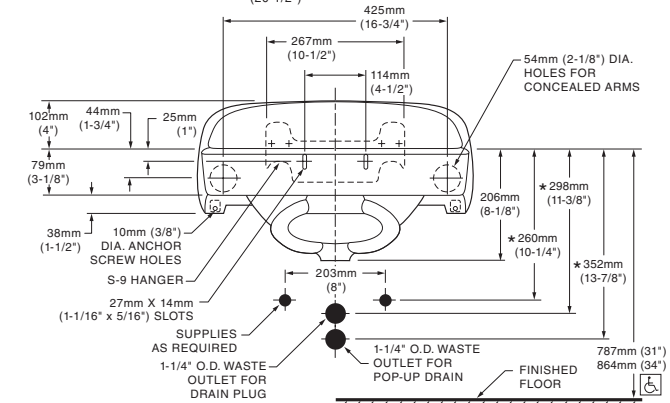
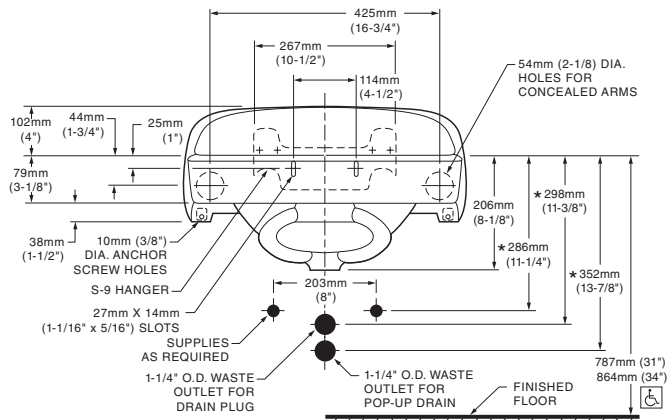
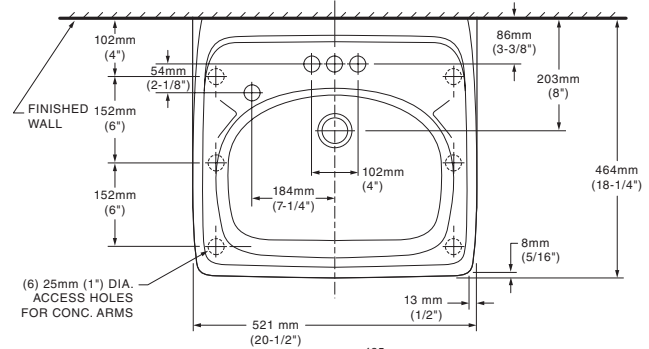
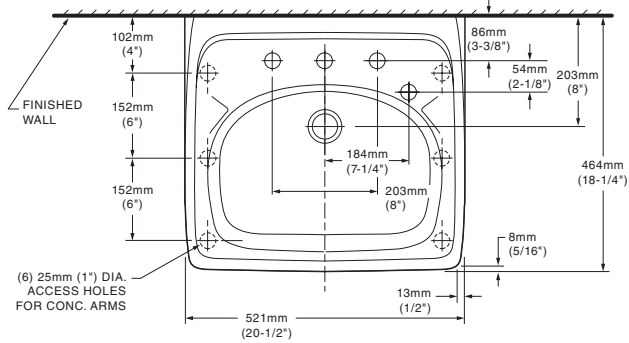
* See faucet section for additional models available



MEETS THE AMERICANS WITH DISABILITIES ACT GUIDELINES AND ANSI A117.1 ACCESSIBLE AND USABLE BUILDINGS AND FACILITIES - CHECK LOCAL CODES.
 Top of front rim mounted 864mm (34") from finished floor.

0356.037 8" CTRS FOR WALL HANGER OR CONCEALED ARMS EXTRA RIGHT HAND HOLE

0355.056 4" CTRS FOR WALL HANGER OR CONCEALED ARMS EXTRA LEFT HAND HOLE

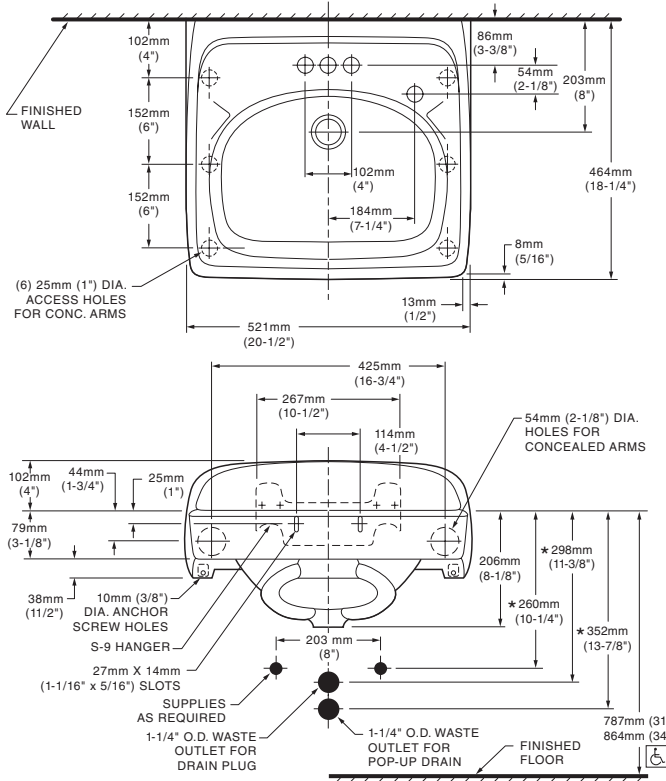


NOTES:
* DIMENSIONS SHOWN FOR LOCATION OF SUPPLIES AND "P" TRAP ARE SUGGESTED.
PROVIDE SUITABLE REINFORCEMENT FOR ALL WALL SUPPORTS.
FITTINGS NOT INCLUDED AND MUST BE ORDERED SEPARATELY.
CONCEALED ARM SUPPORT AS REQUIRED TO BE FURNISHED BY OTHERS.

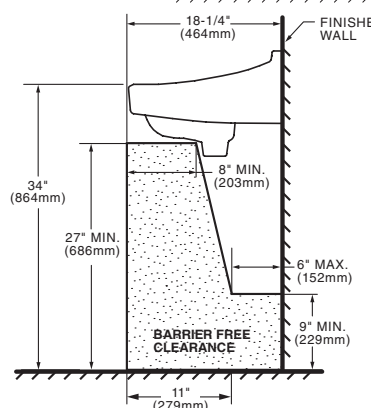
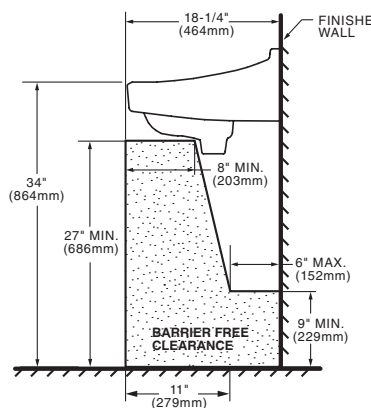
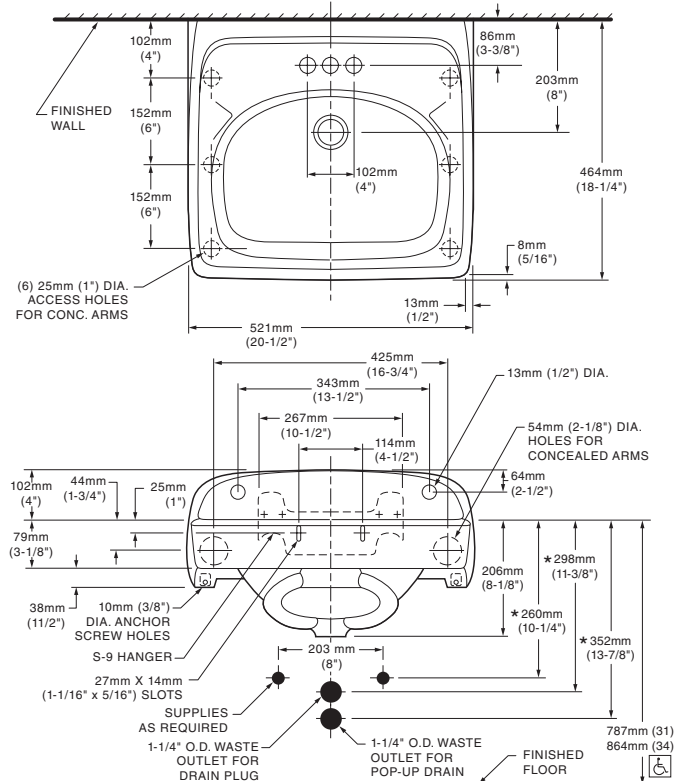
IMPORTANT: Dimensions of fixtures are nominal and may vary within the range of tolerances established by ANSI Standard A112.19.2. These measurements are subject to change or cancellation. No responsibility is assumed for use of superseded or voided pages.

♿ **LAVATORY DESIGNED TO MEET ADA HANDICAPPED GUIDELINES WITH MOUNTING HEIGHT SET AT 864MM (34") ABOVE FINISHED FLOOR.**

0355.034 4" CTRS FOR WALL HANGER OR CONCEALED ARMS EXTRA RIGHT HAND HOLE



0355.041 WALL HUNG SINK THRU BOLT SUPPORT ON BACKSPLASH FOR WALL ANCHORS

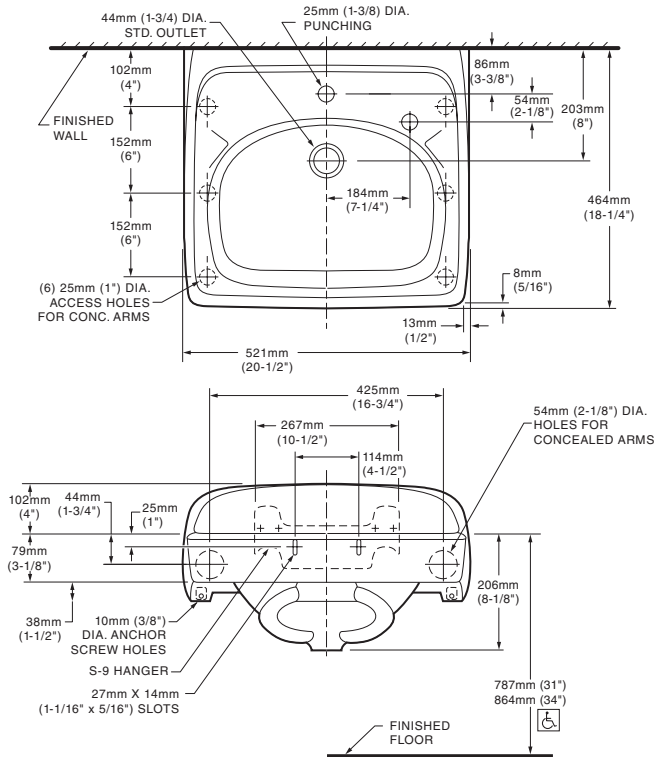


NOTES:
* DIMENSIONS SHOWN FOR LOCATION OF SUPPLIES AND "P" TRAP ARE SUGGESTED.
PROVIDE SUITABLE REINFORCEMENT FOR ALL WALL SUPPORTS.
FITTINGS NOT INCLUDED AND MUST BE ORDERED SEPARATELY.
CONCEALED ARM SUPPORT AS REQUIRED TO BE FURNISHED BY OTHERS.

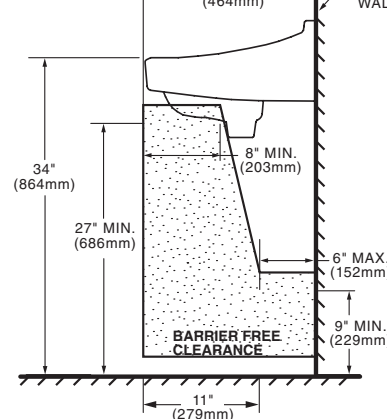
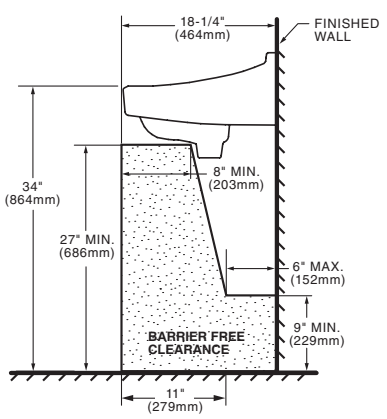
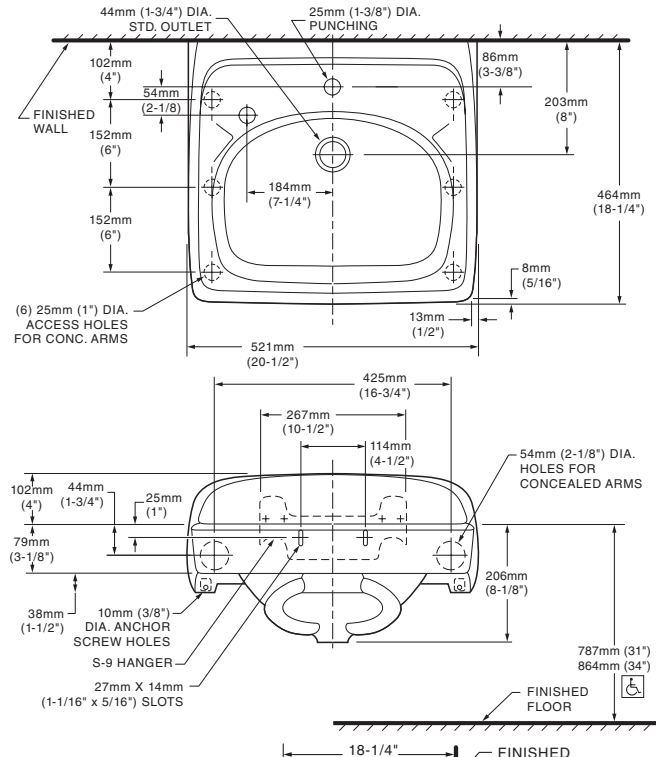
IMPORTANT: Dimensions of fixtures are nominal and may vary within the range of tolerances established by ANSI Standard A112.19.2. These measurements are subject to change or cancellation. No responsibility is assumed for use of superseded or voided pages.

LAVATORY DESIGNED TO MEET ADA HANDICAPPED GUIDELINES WITH MOUNTING HEIGHT SET AT 864MM (34") ABOVE FINISHED FLOOR.

0356.137 SINGLE CENTER HOLE FOR WALL HANGER OR CONCEALED ARMS WITH EXTRA RIGHT HAND HOLE



0356.115 SINGLE CENTER HOLE FOR WALL HANGER OR CONCEALED ARMS WITH EXTRA LEFT HAND HOLE



NOTES:
* DIMENSIONS SHOWN FOR LOCATION OF SUPPLIES AND "P" TRAP ARE SUGGESTED.
PROVIDE SUITABLE REINFORCEMENT FOR ALL WALL SUPPORTS.
FITTINGS NOT INCLUDED AND MUST BE ORDERED SEPARATELY.
CONCEALED ARM SUPPORT AS REQUIRED TO BE FURNISHED BY OTHERS.

IMPORTANT: Dimensions of fixtures are nominal and may vary within the range of tolerances established by ANSI Standard A112.19.2. These measurements are subject to change or cancellation. No responsibility is assumed for use of superseded or voided pages.

♿ **LAVATORY DESIGNED TO MEET ADA HANDICAPPED GUIDELINES WITH MOUNTING HEIGHT SET AT 864MM (34") ABOVE FINISHED FLOOR.**