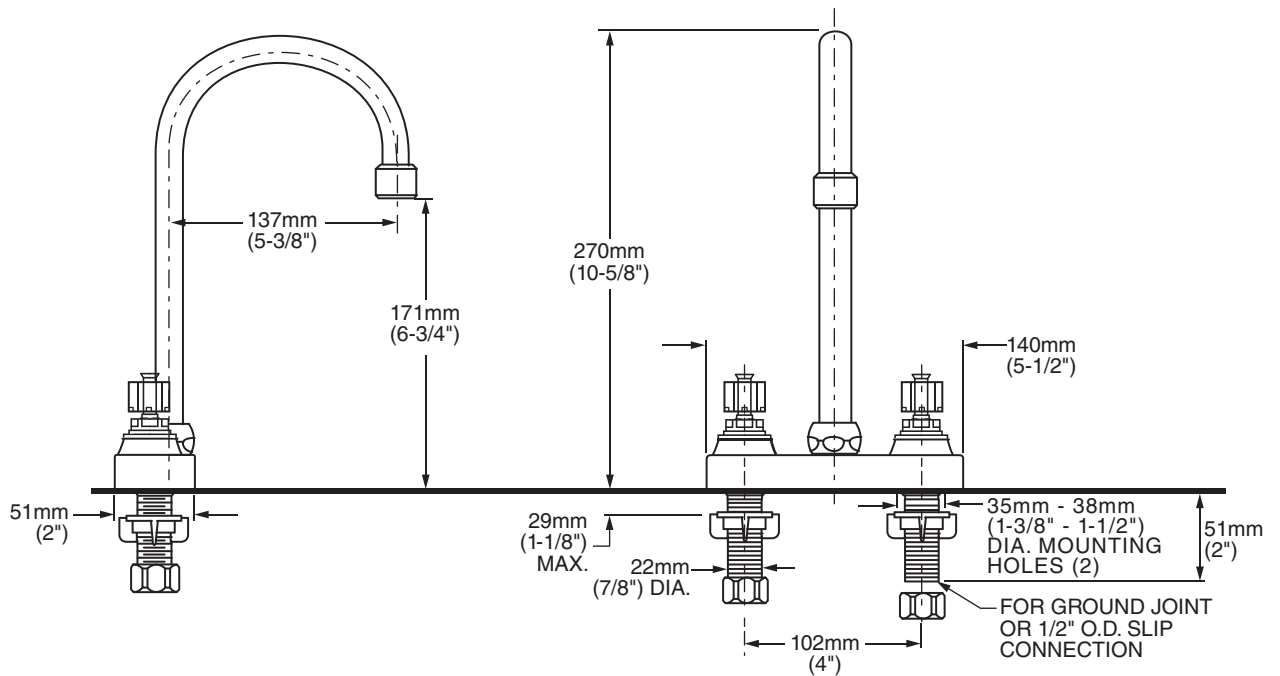


**MODEL NUMBER:**

- ☐ **7490.000 Centerset Bar Sink Faucet**  
 Gooseneck swivel spout. Less handles.

**Handles must be ordered separately.**



**GENERAL DESCRIPTION:**

Durable brass construction. Amarilis 1/4 turn washerless ceramic disc valve cartridges. One-half inch male inlet shanks with brass coupling nuts. Brass gooseneck swivel spout. 2.2gpm/8.3L/min. maximum flow rate.

**PRODUCT FEATURES:**

**Ceramic Disc Valve Cartridges:** Assures a lifetime of drip-free performance.

**Brass Construction:** Durable - Excellent in high use applications. Ideal for prolonged contact with water.

**Lead Free:** Faucet contains ≤ 0.25% total lead content by weighted average.

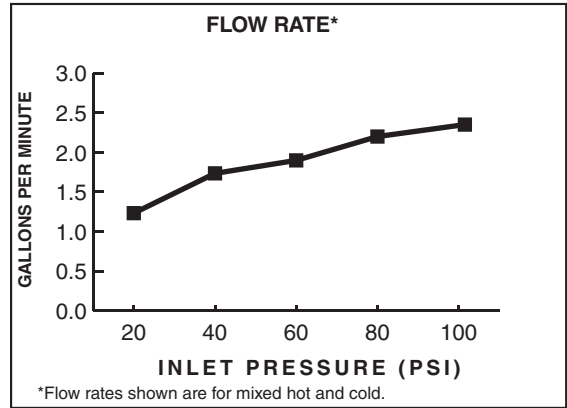
**SUGGESTED SPECIFICATION:**

Centerset bar sink faucet shall be cast brass construction with all brass coupling nuts. Shall also feature 1/4 turn washerless ceramic disc valve cartridges. Fitting shall be American Standard Model # 7490.000.\_\_\_\_ and handle kit # 0000.\_\_\_\_.

**CODES AND STANDARDS**

These products meet or exceed the following codes and standards:

- ASME A112.18.1
- CSA B 125
- NSF 61/Section 9 and Annex G
- NSF 372



Product Number	Description	Finish
		Polished Chrome
7490.000	Bar Sink faucet. Less handles.	002

MEETS THE AMERICANS WITH DISABILITIES ACT GUIDELINES AND ANSI A117.1 REQUIREMENTS FOR ACCESSIBLE AND USABLE BUILDING FACILITIES-CHECK LOCAL CODES

**Handles must be ordered separately.**

To order **Less Handles** - Specify: 4 digit style number followed by three zeros and 3 digit finish number. Example 7490.000.002 = Bar Sink faucet in Polished Chrome finish.

The above fittings will accept the following Amarelis-Series handles.

Wrist Blade	Lever
172H	142H
172V	142V

**Other Aerators Available:**

Part Suffix	Description
LV15	1.5 gpm (5.7 Lpm) Vandal-Resistant PCA Non-Aerated Laminar Flow Outlet
L15	1.5 gpm (5.7 Lpm) PCA Non-Aerated Laminar Flow Outlet
V15	1.5 gpm (5.7 Lpm) Vandal-Resistant PCA Aerator
LV10	1.0 gpm (3.8 Lpm) Vandal-Resistant PCA Non-Aerated Laminar Flow Outlet
L10	1.0 gpm (3.8 Lpm) PCA Non-Aerated Laminar Flow Outlet
V10	1.0 gpm (3.8 Lpm) Vandal-Resistant PCA Aerator
V05	0.5 gpm (1.9 Lpm) Vandal-Resistant PCA Non-Aerated Spray
V035	0.35 gpm (1.3 Lpm) Vandal-Resistant PCA Non-Aerated Spray

\*PCA - Pressure Compensating  
 All modifications meet CALGreen Code