

INSTALLATION INSTRUCTIONS

GLENWALL 1.6 GPF TWO-PIECE PRESSURE-ASSISTED WALL-MOUNTED TOILETS

Model 2093 Elongated



Meets the American Disabilities Act Guidelines and ANSI A117.1 Requirements for the Physically Challenged

Thank you for selecting American Standard - the benchmark of fine quality for over 100 years. To ensure this product is installed properly, please read these instructions carefully before you begin. (Certain installations may require professional help.) Also be sure your installation conforms to local codes.

CAUTION: PRODUCT IS FRAGILE. TWO PEOPLE ARE RECOMMENDED FOR HANDLING TO AVOID BREAKAGE AND POSSIBLE INJURY!

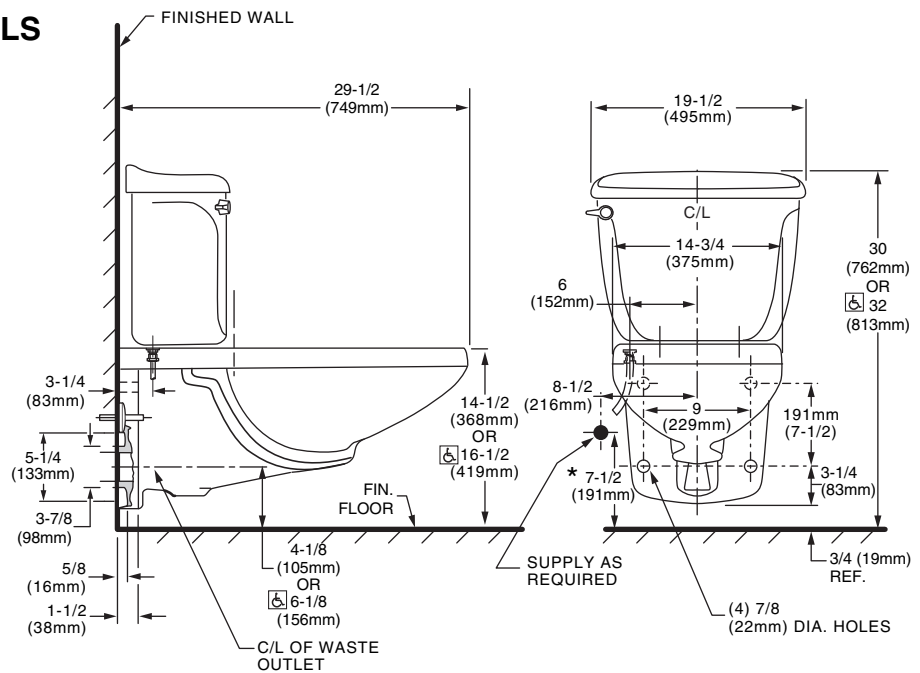
NOTE: For proper operation product requires a minimum of 25 psi working line pressure

1 RECOMMENDED TOOLS AND MATERIALS

- Closet Carrier Support
- Putty Knife
- Regular Screwdriver
- Adjustable Wrench
- Sealant
- Tape Measure
- Flexible Supply Tube
- Carpenters Level

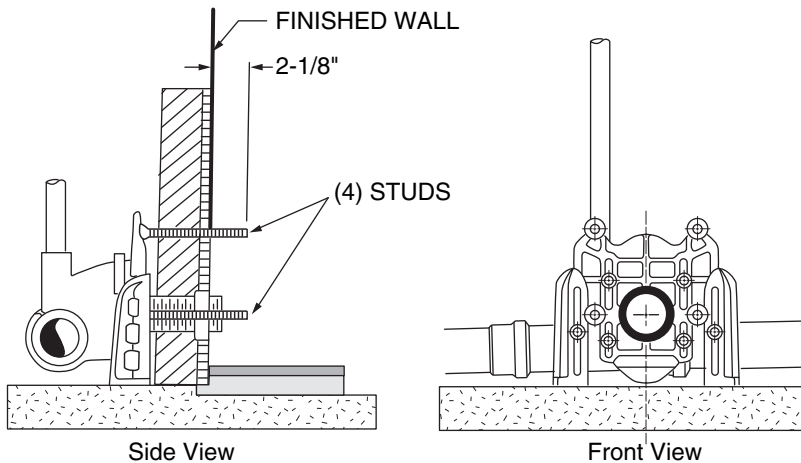
Refer to instructions supplied with wall carrier for proper installation of 4-bolt support system wall cavity requirements and rough-in information for waste outlet piping.

When installed, top of seat is 17" to 19" (432mm to 483mm) from the finished floor.



2 FIXTURE MOUNTING

Fixture studs should project 2-1/8" from face of finished wall.



American Standard

Ideal Standard

Incesa Standard

Sadosa Standard

Cedelca

Saniwares

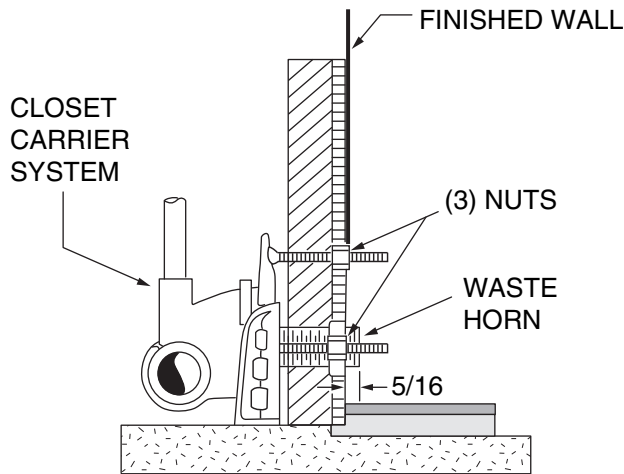
SAVE FOR FUTURE USE

3

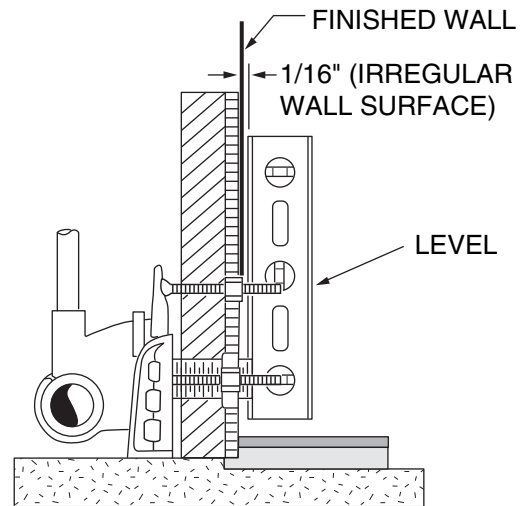
Place back-up nuts on both bottom bolts, and the top left-hand bolt only.

Adjust the two lower back-up nuts so that front face of nuts is flush with finished wall.

Adjust waste horn to project 5/16" from finished wall.

**4**

Using a level, adjust the top left back-up nut so that it is in the same vertical plane as the lower left back-up nut. (If wall surface is irregular, the three back-up nuts must be positioned to allow a minimum 1/16" gap between fixture and wall surface.)

**5**

NOTE: Bearing nuts and washers must be set to take full loading from the fixture allowing 1/16" clearance between fixture and wall.

Follow support manufacturer's recommended setting of closet outlet connection.

Place felt or neoprene gasket (wax ring not recommended) on closet outlet.

When the fixture is installed, closet outlet gasket must be compressed sufficiently to assure a gas and watertight seal.

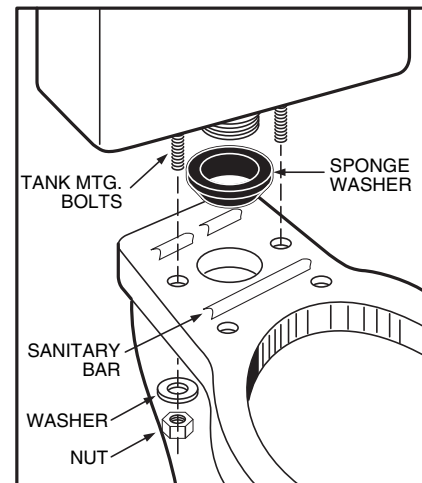
The following steps require a helper:

Install bowl on support using cap nuts and fiber washers with the back-up nuts and washers.

DO NOT APPLY TOP RIGHT FIBER WASHER AND CAP NUT UNTIL OTHER CAP NUTS HAVE BEEN FIRMLY TIGHTENED USING A WRENCH.

Install top right cap nut with fiber washer and run up hand tight. Wrench tighten approximately 1/4 turn.

Apply sealant to gap between bowl and finished wall. Remove excess sealant.

6

INSTALL TANK AND TOILET SEAT

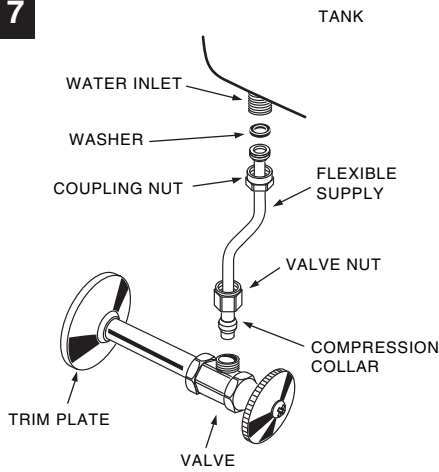
Install large rubber gasket over threaded outlet on bottom of tank with tapered side out and lower tank onto bowl so that the tapered end of gasket fits evenly into bowl water inlet opening, and tank mounting bolts go through mounting holes. Secure with metal washers and nuts.

With tank parallel to wall, alternately tighten nuts until tank is snugged down evenly against sanitary bar on bowl.

⚠ CAUTION: DO NOT OVERTIGHTEN NUTS MORE THAN REQUIRED FOR A SNUG FIT!

Install toilet seat according to manufacturer's directions.

7



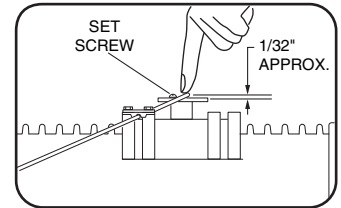
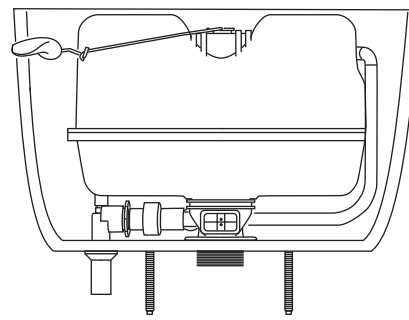
CONNECT WATER SUPPLY

Connect water supply line between shutoff valve and tank water inlet fitting. Tighten coupling nuts securely.

Turn on supply valve and allow flushometer tank to fill.

Check for leakage at fittings, tighten or correct as needed.

8



ADJUSTMENTS

The flushometer tank is designed and factory-adjusted to provide a consistent, safe seal depth in the bowl after each flush. Field refill adjustment is not required. The refill has been preset and locked.

FLUSH ACTUATOR ADJUSTMENT - The spacing between the bellcrank and flush actuator may be adjusted to assure positive operation of the trip lever.

Proceed as follows:

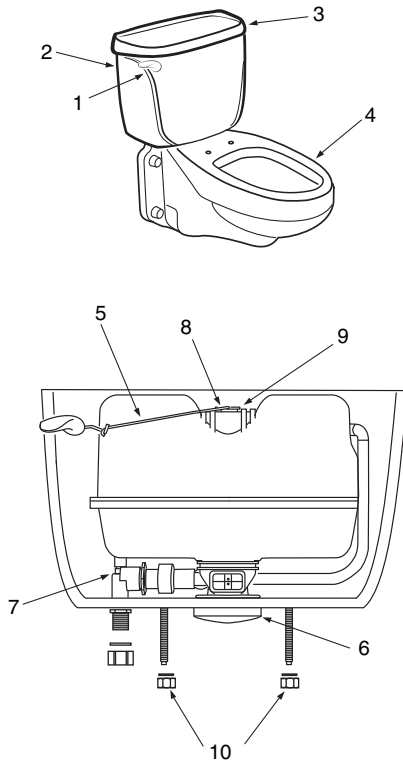
Remove tank cover and check that there is approximately 1/32" (0.8mm) gap between the top of the actuator and bottom of the spring rod when it is lifted to remove slack from linkage.

If necessary, loosen set screw in actuator cap and turn cap to increase gap (clockwise) or decrease gap (counterclockwise), as needed.

Tighten setscrew securely after adjustment is completed. Replace tank cover.

REPAIR PARTS LIST

NOTE: "XXX" and "YYY" represent color or trim finish options. Specify when ordering.



ITEM	PART NO.	DESCRIPTION	QTY
1	738473-YYY0A	TRIP LEVER-LH	1
	738494-YYY0A	TRIP LEVER-RH	
2	4098.100.XXX	TANK (COMPLETE WITH COUPLING COMPONENTS AND L.H. TANK TRIM)	1
	4098.800.XXX	TANK (COMPLETE WITH COUPLING COMPONENTS AND R.H. TANK TRIM)	
3	735083-400.XXX	TANK COVER	1
4	3402.016.XXX	BOWL	1
5	738493-0070A	SPRING ROD ASSEMBLY-LH	1
	738495-0070A	SPRING ROD ASSEMBLY-RH	
6	730599-0070A	COUPLING GASKET	1
7	738496-0070A	LOWER SUPPLY ASSEMBLY (35 PSI)	1
8	047562-0070A	UPPER SUPPLY ASSEMBLY	1
9	047563-0070A	VALVE CARTRIDGE ASSEMBLY	1
10	730292-0070A	TANK COUPLING KIT	1
	735083-600.XXX	TANK COVER FOR LOCKING DEVICE	1
	603111-0030A	COVER LOCKING DEVICE KIT	1

CARE AND CLEANING

When cleaning your toilet, wash it with mild, soapy water, rinse thoroughly with clear water and dry with a soft cloth. Avoid detergents, disinfectants, or cleaning products in aerosol cans. NEVER use abrasive scouring powders or abrasive pads on your toilet seat. Some bathroom chemicals and cosmetics may damage the seat's finish.

TROUBLESHOOTING GUIDE

NOTE: The presence of a small amount of water in the bottom of the tank is normal. The air inducer is designed to leak for short periods during each flush cycle as a self-cleaning action. Drillage is drained into the bowl. If used on water system containing excessive sand and/or debris, a periodic cleanup of inlet strainer is recommended. (See enclosed instructions for strainer cleaning.)

WARNING

When servicing or replacing components of the flushometer tank system, be sure that the water supply is shut off and the toilet is flushed to relieve pressure in the flushometer tank.
For service of the Flushometer Tank System, see enclosed literature.

PROBLEM	POSSIBLE CAUSE	CORRECTIVE ACTION
Does not flush	<ul style="list-style-type: none"> a. Water supply valve closed. b. Flush actuator incorrectly set. c. Supply line blocked. d. Trip lever linkage damaged. 	<ul style="list-style-type: none"> a. Open valve and allow water to fill tank. b. Follow instruction to adjust flush actuator. c. Shut off water supply, disconnect supply line, and inspect all gaskets and washers. Reassemble. d. Check trip lever, linkage, and spring rod assemblies for damage.
Poor or sluggish flush	<ul style="list-style-type: none"> a. Supply valve partly closed. b. Plugged inlet strainer. c. Supply pressure too low. d. Partially clogged trapway and/or drain pipe and/or vent. e. Malfunctioning pressure regulator. 	<ul style="list-style-type: none"> a. Open supply valve fully. Be sure that proper supply tube size is used. b. Remove and clean strainer per enclosed instructions c. Normal supply pressure must be at least 25 psi. d. Remove obstruction. Consult a plumber if necessary. e. Replace lower supply assembly.
Toilet leaks	<ul style="list-style-type: none"> a. Poor supply line connection. b. Poor bowl to wall waste outlet connection. c. Tank/bowl connection. 	<ul style="list-style-type: none"> a. Review Step 7 of installation procedure. b. Review Step 3 through 5 of installation procedure. c. Check tank for movement. Refer to Step 6.
Toilet does not shut off	<ul style="list-style-type: none"> a. Supply pressure too low. b. Flush actuator incorrectly set. 	<ul style="list-style-type: none"> a. Normal supply pressure must be at least 25 psi. b. Follow instructions to adjust flush actuator.

AMERICAN-STANDARD ONE-YEAR LIMITED WARRANTY

If inspection of this American-Standard plumbing product, within one year after its initial installation, confirms that it is defective in materials or workmanship, American-Standard will repair or, at its option, exchange the product for a similar model.

This warranty **does not apply** to local building code compliance. Since local building codes vary considerably, the purchaser of this product should check with a local building or plumbing contractor to insure local code compliance before installation.

This warranty **shall be void** if the product has been moved from its initial place of installation; if it has been subjected to faulty maintenance, abuse, misuse, accident or other damage; if it was not installed in accordance with American-Standard's instructions; or if it has been modified in a manner inconsistent with the product as shipped by American-Standard.

American-Standard's option to repair or exchange the product under this warranty does not cover any labor or other costs of removal or installation, **nor shall American-Standard be responsible for any other incidental or consequential damages attributable to a product defect or to the repair or exchange of a defective product, all of which are expressly excluded from this warranty.** (Some states or provinces do not allow the exclusion or limitation of implied warranties, so this exclusion may not apply to you.)

This warranty gives you specific legal rights. You may have other statutory rights that vary from state to state or from province to province, in which case this warranty does not affect such statutory rights.

For service under this warranty, it is suggested that a claim be made through the contractor or dealer from or through whom the product was purchased, or that a service request (including a description of the product model and of the defect) be sent to the following address:

In the United States:
American Standard Inc.,
P.O. Box 6820
Piscataway, New Jersey 08855
Attention: Director of Consumer Affairs

For residents of the United States, warranty information may also be obtained by calling the following toll free number: (800) 442-1902
www.americanstandard-us.com

In Canada:
American-Standard,
2480 Stanfield Road
Mississauga, Ontario
Canada L4Y 1S2

Toll Free: (800) 387-0369
www.americanstandard.ca

In Mexico:
Customer Service Manager
Ideal Standard, S.A. de C.V.
Via Morelos #330
Col. Santa Clara
Ecatepec 55540 Edo. Mexico
www.americanstandard.com.mx